

General info

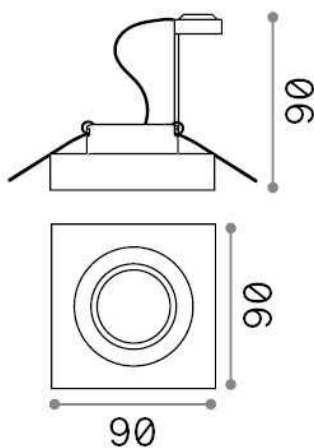
Technical - Recessed lights



Ean	8021696114019
Item	BLUES FI SQUARE TRASPARENTE
Installation	Recessed lights
Guarantee	5 years
Gross weight	0.37 kg
Volume	0.001188 m ³

Technical info

Net weight	0.34 kg
Insulation class	II
Protection index	IP20
Compliance	CE
Operating temperature	0° ~ +40 °C
Dimmer	Determined by the light bulb
Power output	220-240 V AC
Power supply	Not required
Recessed specifications	Ø 60 - h. ≥ 100 , 7-15



Source info

Integrated source	Light bulb (not included)
Replaceable source	No
Power	GU10 max 1 x 50 W
Emission	Direct
Max consumption	-