

General info

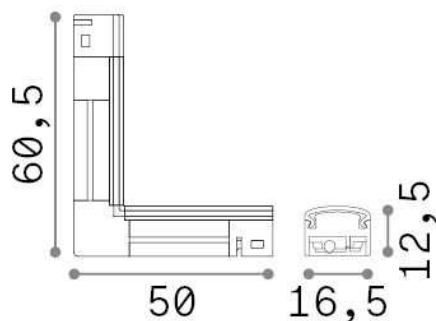
Technical - Accessories



Ean	8021696297187
Item	CHEF VERTICAL CORNER
Installation	Accessories
Guarantee	5 years
Gross weight	0.05 kg
Volume	0.000125 m ³

Technical info

Net weight	0.04 kg
Insulation class	III
Protection index	IP20
Compliance	CE
Operating temperature	0° ~ +40 °C
Dimmer	1
Power output	24 V DC
Power supply	Required, remoted, not included
Accessories not included	Power cable, Interconnection cable, Installation clip



Source info

Integrated source	Integrated LED module
Replaceable source	No
Power	1 W
Emission	Direct
Max consumption	max 1,00 W
Features LED	LED SMD
CCT LED	3000 K
Duration LED (t. 25°C)	30000 h
CRI	> 80
Light beam	-
Light beam flux	80 lm
Useful light flux	70 lm
Standby power	< 0.50 W