

General info

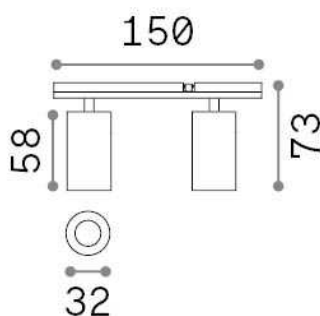
Technical - Systems



Ean	8021696329536
Item	STICK TRACK DOUBLE 10W
Installation	Systems
Guarantee	5 years
Gross weight	0.23 kg
Volume	0.000593 m ³

Technical info

Net weight	0.19 kg
Insulation class	III
Protection index	IP20
Compliance	CE
Operating temperature	0° ~ +40 °C
Dimmer	1, Phase-cut
Power output	48 V DC
Power supply	Required, remoted, not included Replaceable (by qualified operators only)
Accessories not included	Stick profile



Source info

Integrated source	Integrated LED module
Replaceable source	Replaceable (by qualified operators only)
Power	10 W
Emission	Direct
Max consumption	max 10,00 W
Features LED	LED COB BRIDGELUX
CCT LED	3000 K
Duration LED (t. 25°C)	30000 h
CRI	> 90
Light beam	30°
Light beam flux	950 lm
Useful light flux	640 lm
Photobiological risk	1
Standby power	< 0.50 W