

General info

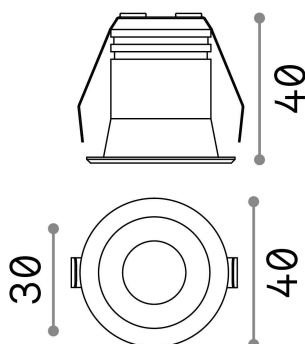
Technical - Recessed lights



Ean	8021696244808
Item	VIRUS FI WH WH
Installation	Recessed lights
Guarantee	5 years
Gross weight	0.08 kg
Volume	0.00027 m ³

Technical info

Net weight	0.07 kg
Insulation class	II
Protection index	IP20
Compliance	CE
Operating temperature	0° ~ +40 °C
Dimmer	NO, On-Off
Power output	220-240 V AC 50/60 Hz
Power supply	Separate, included Replaceable (by qualified operators only), electronic
Recessed specifications	Ø 30 - h. ≥ 60 , 10-30



Source info

Integrated source	Integrated LED module
Replaceable source	Replaceable (by qualified operators only)
Power	3 W
Emission	Direct
Max consumption	max 3,00 W
Features LED	LED SMD OSRAM
CCT LED	3000 K
Duration LED (t. 25°C)	50000 h
CRI	> 90
Light beam	20°
Light beam flux	210 lm
Useful light flux	170 lm